

Electric fuel pump 6.5 bar for replacement

si 0009 / A GB

MSI-PG 09.01

Vehicle: AUDI

 Type
100 / 200
Avant / Quattro

 Engine
various
see TECDOC-CD

 Year of manufacture
08.82 – 07.89

Replacement
Product: EKP-E3T
Pierburg No.
7.21651.10.0

7.21651.60.0

 O.E.-Nr. *)
various
see TECDOC-CD

The above mentioned vehicles are fitted with an in-tank pump. The series pump is shown in Fig. 1.

In case of replacement, only the Pierburg fuel pump, Fig. 2, will be supplied.

Note

Vehicles from year of manufacture 08.89 see **si 0008 / B** and **si 0032**

Test data

Rated voltage: 12 V
System pressure: 6.5 bar
Delivery, min.: 100 l/h
Current consumption
max.: 16 A at system pressure
(after running-in time)

Scope of supply

Preassembled pump
Diverse fitting parts
Fitting instructions

Note
Removal and fitting must take place according to the fitting instructions.

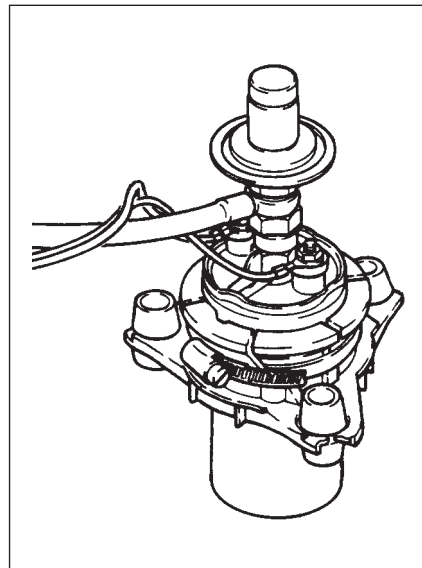


Fig. 1

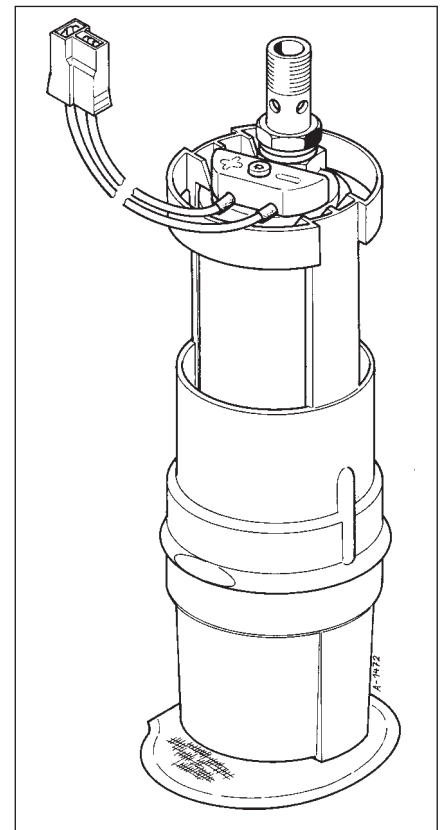


Fig. 2