

## Electric water circulation pump for general applications

**Pierburg No.:** 7.02058.50.0

**Replaces:** 7.02058.00.0

Pierburg now offers a compact, high-performance product, the electric water circulation pump (WCP).

In addition to the well-known applications such as

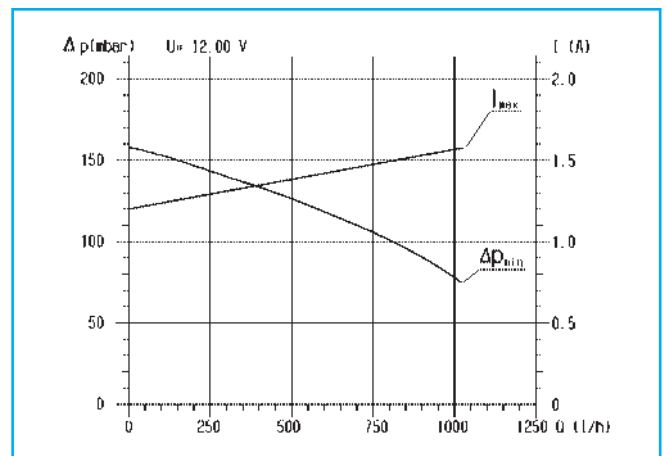
- removal of residual heat after the vehicle engine has been turned off (in connection with a radiator fan) and
  - a circulating pump in auxiliary heating systems to quickly warm up the interior of the vehicle,
- our WCP can also be used in numerous other applications such as:
- providing mechanical water circulation pumps with support when under critical operating conditions ("stop & go"),
  - cooling of batteries and drives in electric vehicles and
  - heat cycle pumps in the field of photovoltaics.

### Features

- electric water circulation pump according to the turbine pump principle.
- Continuously variable speed due to pulse-width modulation control ("pulse-width repetition rate").
- Hermetic separation of the actual pump and the pump drive without any additional seals or ducts.
- The pump capacity does not depend on the speed of the engine in the vehicle.
- Compact construction due to electronically commutated engine.
- Quiet operation and very low noise production because there is only one moving part.
- The service life of the pump is practically only limited by the service life of the pump impeller bearing.



Overview of product




Typical characteristic pumping curve

Technical data		
Rated voltage	[V]	12
Operating voltage	[V]	9 - 15
Rated pumping pressure	[mbar]	100
Flow rate	[l/h]	mín. 820 <sup>1)</sup>
Power consumption	[A]	max. 1,5 <sup>2)</sup>
Temperature range	[°C]	- 40 ... +135
Protection type		IP 54 A
Max. weight	[g]	max.280

1) at a differential pressure of 100 mbar  
2) at the rated flow rate

**Mounting position**

The water circulation pump can be mounted in any orientation.

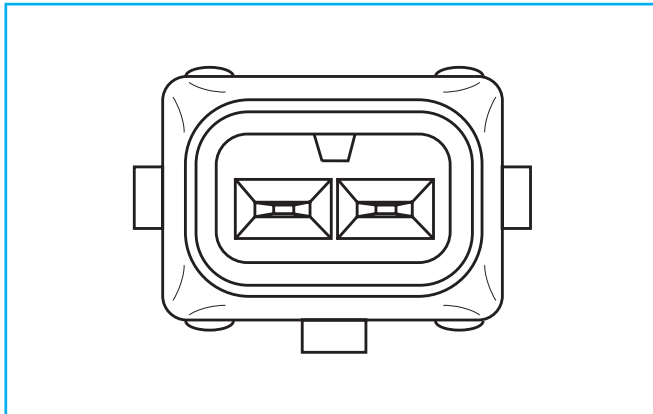
 The pump may not be mounted on the motor.

**Electrical connection**

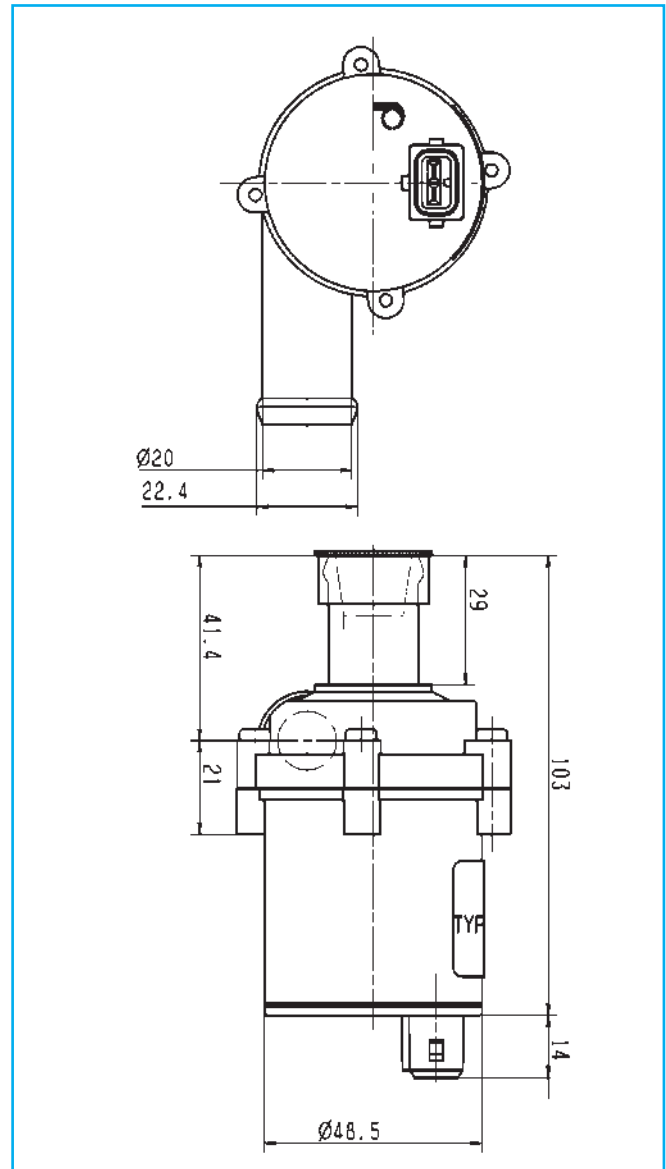
The electrical water circulation pump comes equipped with one connection for a 2-pole receptacle.

The following connectors can be used, for example:

- Reinshagen company: "MINI-TIMER AK 7509"
- Bosch company: "Junior Timer"



Electrical connection



Dimensions

**Mounting clip (optional)**

Pierburg No.: 4.07500.10.0 (10 parts)

As an option we offer a mounting clip made of vibration-reducing hard rubber (EPDM) to make mounting the water circulation pump easier.



Optional pump holder