

Vacuum pump New application

si 0011/A **GB**
MSI-PG 11.02

Vehicle: RENAULT

Product: Vacuum pump

Type Engine Construction year
Laguna-D 2,2l/63 kW 11.93–03.01

Replacement-no. Pierburg no. O.E. no.*)
7.21666.60.0 7.21666.10.0 77 00 858 480

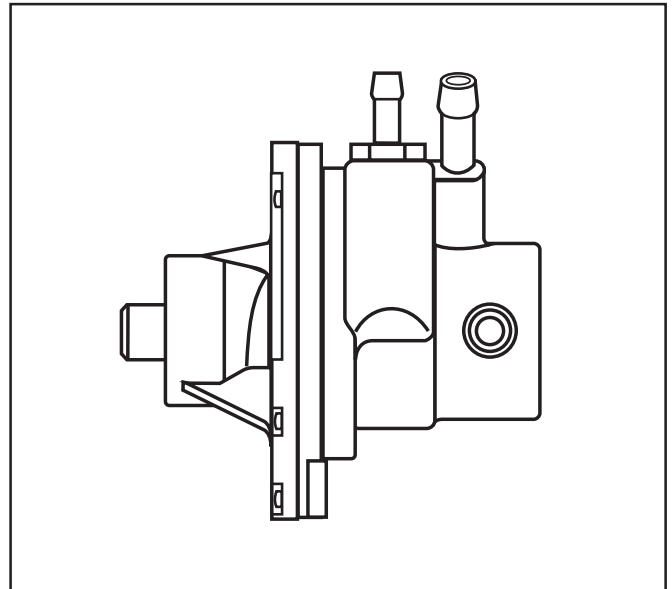
From 11.93 on, Laguna diesel vehicles are equipped with a Pierburg vacuum pump (see fig.).

Test procedure: As described in "Service Information Vacuum pumps".

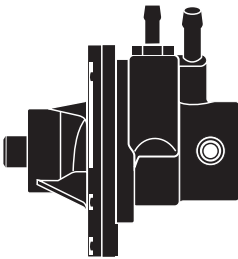
Test values: see chart and/or " Service Information Vacuum pumps".

Test equipment: Vacuum pump tester
Ordernumber: 4.07370.06.0

Note: In case of a replacement, the pulley from the removed pump should be used. Observe the instructions of the vehicle manufacturer. Observe insertion depth of the pulley! Use suitable tools in order to pull off and press on the parts (do not hit or lift up with a lever). Carefully check the condition and the tight seat of the pulley.



SFPK Rotary vane pump for belt drive

Vehicle	Vacuum pump type	Pierburg no.	P1 mbar	T Sek	Pe mbar	Remarks
RENAULT	 SFPK	7.21666.10.0 7.21666.60.0	500 "	4,5 "	900 "	Attention! Belt tension according to the specification of the car manufacturer.