

20 OKT. 1971

Fruitweg 262

's-Gravenhage

N E D E R L A N D

(The Netherlands)

B

E. 4



914

Communication concerning the approval of a type of fog light pursuant to Regulation No. 19.

Approval No. 914

- |   |                                      |
|---|--------------------------------------|
| 1. Fog light designed to emit                           | : uncoloured or coloured light       |
| 2. Fog light using a lamp of type                       | : H3                                 |
| 3. Nominal voltage (in the case of a sealed beam light) | : -                                  |
| 4. Trade name or mark                                   | : Hella 1 NE.034                     |
| 5. Manufacturer's name                                  | : Westfälische Metall Industrie K.G. |
| 6. If applicable, name of manufacturer's representative | : Sluyter N.V.                       |
| 7. Address  | : Utrecht                            |
| 8. Submitted for approval on                            | : 20 August 1971                     |
| 9. Technical service conducting approval tests          | : N.V. K.E.M.A., Arnhem              |
| 10. Date of report issued by that service               | : 24 September 1971                  |
| 11. Number of report issued by that service             | : II 8739-71 and II 8740-71          |
| 12. Approval granted                                    |                                      |
| 13. Place   | : 's-Gravenhage                      |
| 14. Date  | : 15 Oktober 1971                    |
| 15. Signature   |                                      |

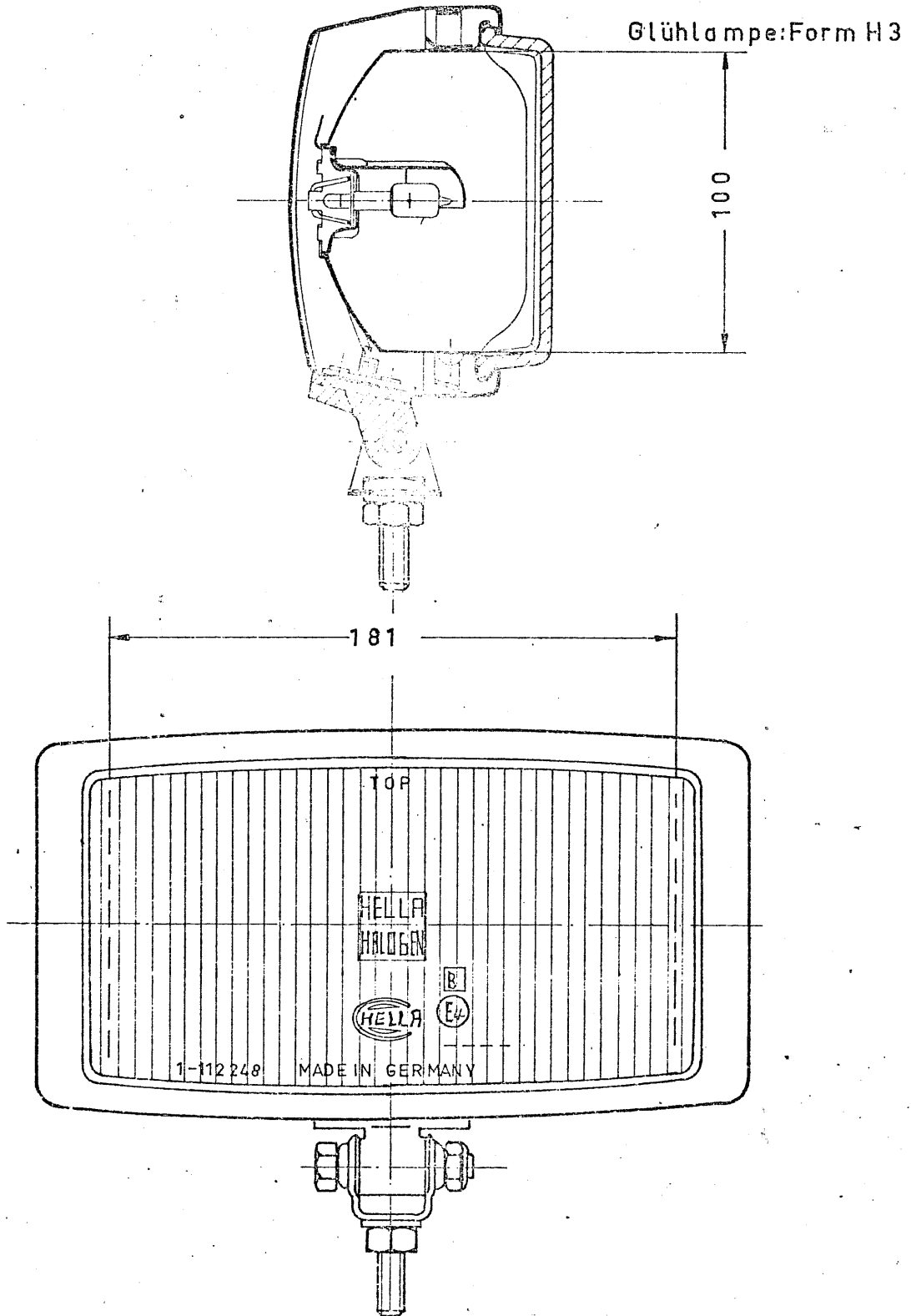
(P.R. Sinnema).

16. The attached drawing No. SL 02.07.456 shows the fog light in front elevation, with the fluting of the glass and in cross section.



KFZ Zusatzscheinwerfer  
(Nebelscheinwerfer)

1.NE.034



SL 02.07.456

23.7.71 Eschenberg

Westfälische Metall Industrie KG Hueck & Co · Lippstadt

Fruitweg 262

's-Gravenhage

3 SEP. 1974

N E D E R L A N D

(The Netherlands)

B

E. 4

914

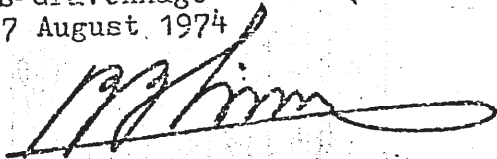


Communication concerning the approval of a type of fog light pursuant to Regulation No. 19.

Extension I

Approval No. 914

- |   |   |
|---|---|
| 1. Fog light designed to emit                           | : uncoloured or coloured light          |
| 2. Fog light using a lamp of type                       | : H5                                    |
| 3. Nominal voltage (in the case of a sealed beam light) | : -                                     |
| 4. Trade name or mark                                   | : Hella 1 NF.034                        |
| 5. Manufacturer's name                                  | : Westfälische Metall Industrie A.G.    |
| 6. If applicable, name of manufacturer's representative | : Sluyter B.V.                          |
| 7. Address  | : Utrecht, The Netherlands              |
| 8. Submitted for approval on                            | : 15 February 1973 and 20 March 1973    |
| 9. Technical service conducting approval tests          | : N.V. K.E.M.A., Arnhem                 |
| 10. Date of report issued by that service               | : 30 March 1973 and 27 April 1973       |
| 11. Number of report issued by that service             | : II 3257-73, II 4405-73 and II 4406-73 |
| 12. Approval granted                                    | : -                                     |
| 13. Place   | : 's-Gravenhage                         |
| 14. Date  | : 27 August 1974                        |
| 15. Signature   |   |

  
(P.R. Sinnema)

16. The attached drawings No. SL 02.07.455 show the fog light in front elevation, with the fluting of the glass and in cross section.

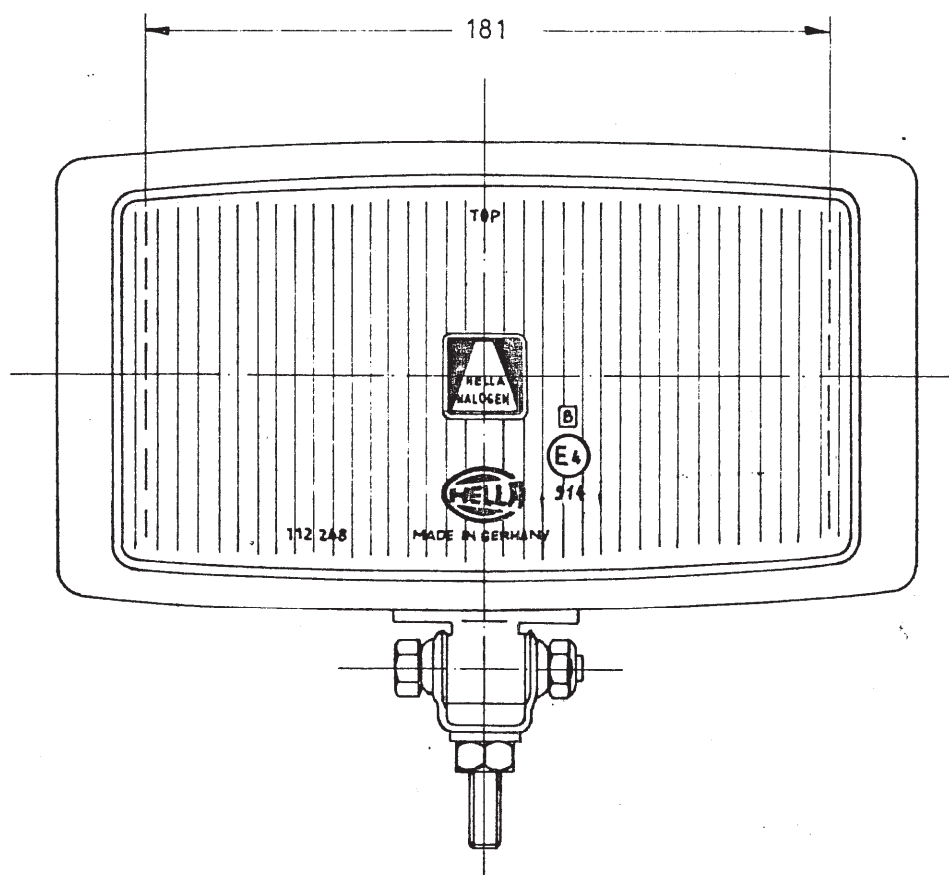
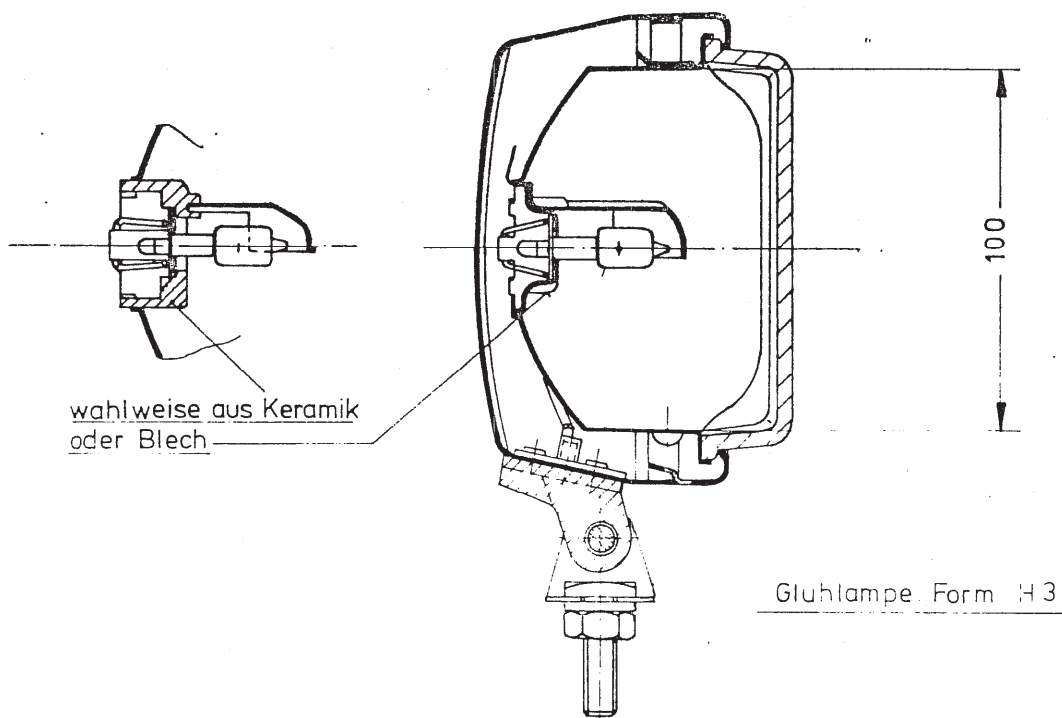
and SL 02.07.456-1

REMARK: The samples differ with respect to the fluting in the centre of the bottom part of the glass, the fog light designed to emit uncoloured light differs with respect to the lampholder and the metal screening shield too.



KFZ-Zusatzscheinwerfer  
(Nebelscheinwerfer)

Typ  
1 NE.034



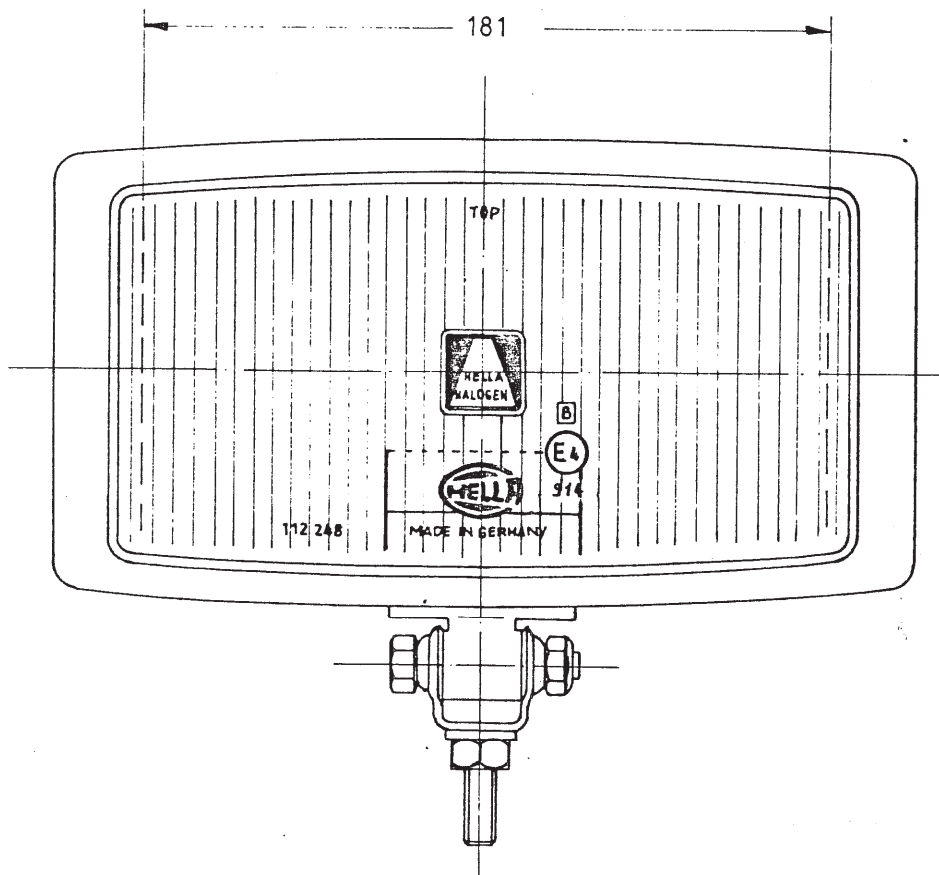
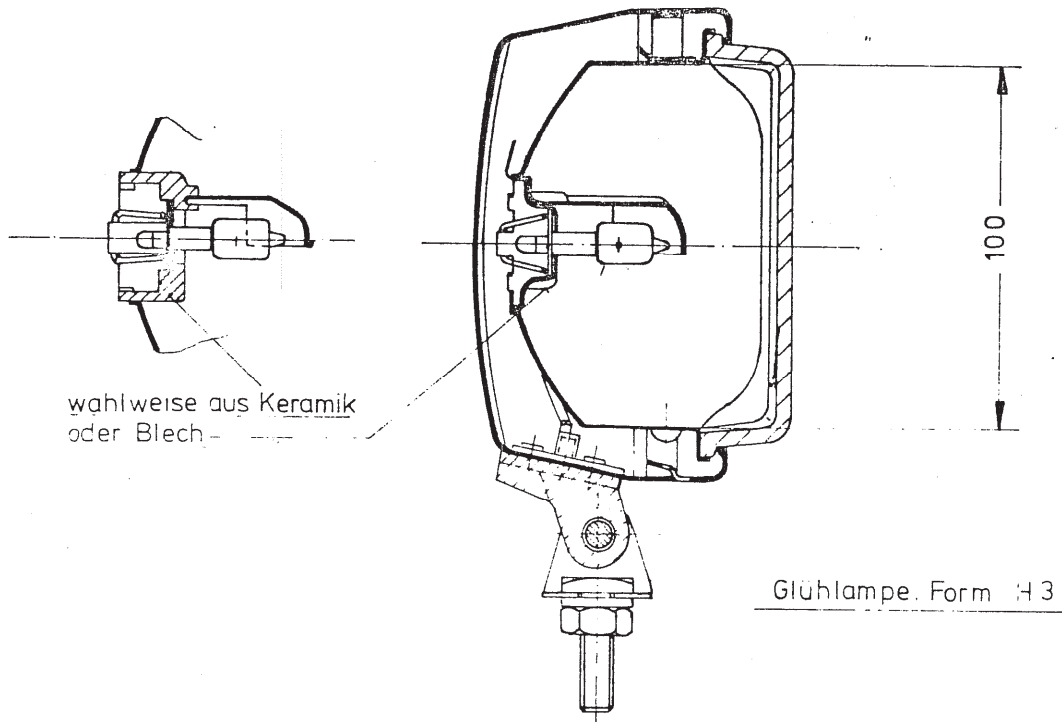
SL 02.07.456

15.3.73 Kr



# KFZ-Zusatzscheinwerfer (Nebelscheinwerfer)

Typ  
1 NE.034



SL 02.07. 456-1

15. 3. 73 Kr

B  
 (E4)  
 02914

NEDERLAND  
 (The Netherlands)



Communication concerning: approval  
~~refusal of approval~~  
~~extension of approval~~  
~~approval withdrawn~~  
~~production definitely discontinued\*~~

of a type of front fog-lamp pursuant  
 to Regulation No. 19

Approval No. 02914

1. Front fog-lamp submitted for approval as type : B, B/ \*/
2. Front fog-lamp using a lamp of type : F<sub>2</sub>, H<sub>1</sub>, H<sub>2</sub>, H<sub>3</sub>, H<sub>4</sub> \*/
3. The front fog-lamp ~~may~~/may not \*/ be lit simultaneously with any other function with which it may be reciprocally incorporated
4. Rated voltage : 24 V
- 4.1 The front fog-lamp may be used with filament lamp(s) of 6 V, 12 V or 24 V rated voltage \*/
- 4.2 In the case of a sealed beam lamp : —  
 Rated voltage V
5. Trade name or mark : Hella 1NE.034
6. Manufacturer's name and address : Hella KG, Hueck & Co.,  
 Lippstadt, Germany
7. Name and address of manufacturer's representative (if applicable) : Sluyter B.V., Utrecht, The  
 Netherlands
8. Submitted for approval on : August 20, 1971; August 3, 1988
9. Technical service responsible for conducting approval tests : N.V. KEMA
10. Date of report issued by that service : September 24, 1971; September 16, 1988

postbus 20909  
 2500 EX 's-gravenhage

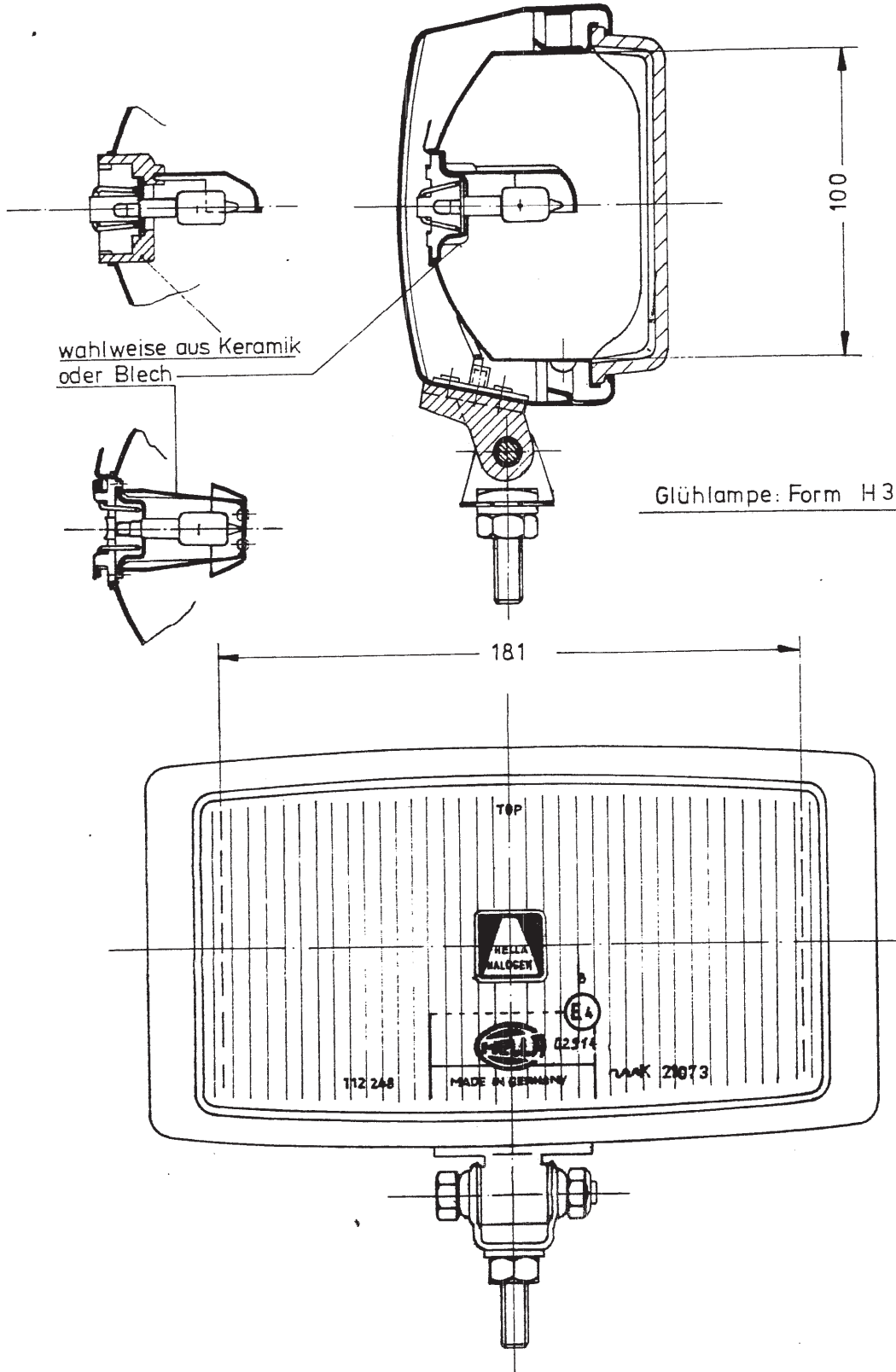
fruitweg 262  
 tel (070) 88 94 66

\* Strike out what does not apply



KFZ-Zusatzscheinwerfer  
(Nebelscheinwerfer)

Typ  
1 NE.034



SL 02.07. 456-3

30.08.88/Frit.

Hella KG Hueck & Co · Lippstadt

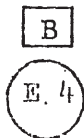
30 JAN. 1975

- 7 FEB. 1975

RIJKSDIENST  
VOOR HET WEGVERKEER

Fruitweg 262  
's-Gravenhage

N E D E R L A N D  
(The Netherlands)



914



Communication concerning the  
approval of a type of fog light  
pursuant to Regulation No. 19.

Approval No. 914

EXTENSION

- |  |                                      |
|--|--------------------------------------|
| 1. Fog light designed to emit                                | : uncoloured or coloured light       |
| 2. Fog light using a lamp of type                            | : H3                                 |
| 3. Nominal voltage (in the case of<br>a sealed beam light)   | : -                                  |
| 4. Trade name or mark  | : Hella 1 NE.034                     |
| 5. Manufacturer's name                                       | : Westfälische Metall Industrie K.G. |
| 6. If applicable, name of manufac-<br>turer's representative | : Sluyter B.V.                       |
| 7. Address   | : Utrecht, The Netherlands           |
| 8. Submitted for approval on                                 | : 6 December 1974                    |
| 9. Technical service conducting<br>approval tests            | : N.V. K.E.M.A., Arnhem              |
| 10. Date of report issued by that<br>service                 | : 18 December 1974                   |
| 11. Number of report issued by that<br>service               | : II 11241-74                        |
| 12. Approval granted   | :                                    |
| 13. Place  | : 's-Gravenhage                      |
| 14. Date   | : 17 January 1975                    |
| 15. Signature  |                                      |

(P.R.Sinnema)

16. The attached drawing No.SLO2.07.456-2 shows the fog light in front  
elevation, with the fluting of the glass and in cross section.

REMARK: The sample differs with respect to the metal screening shield.

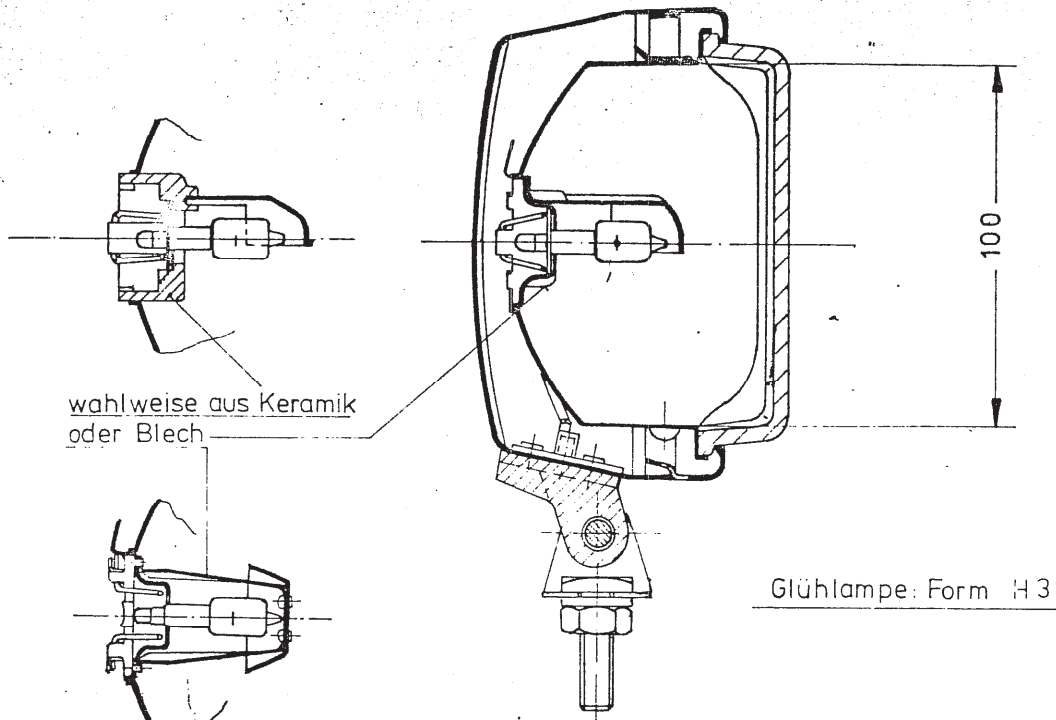




KFZ-Zusatzscheinwerfer  
(Nebelscheinwerfer)

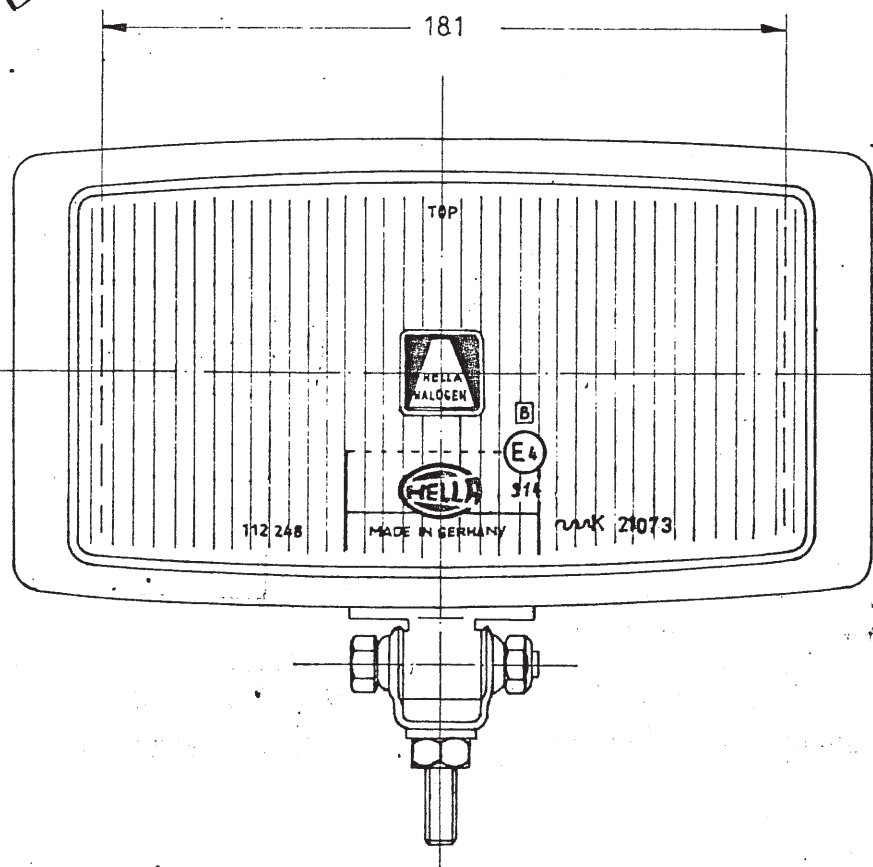
30 JAN. 1975

Typ  
1 NE.034



wahlweise aus Keramik  
oder Blech

Glühlampe: Form H3



SL 02.07. 456-2

15. 11. 74 Kr